

PA PINCH VALVE DN 25 - 300 (DN 1" - 12")



The PA model pinch valve is a heavy-duty enclosed construction full bore valve that employs elastomer sleeves for flow shut-off and control in applications with abrasive and corrosive slurries. The sleeve is the only part in contact with the media, no other mechanical parts are required, and it is a maintenance free part. The PA sleeve design eliminates dead spots where slurry can build up

Product description:

- Enclosed body, bi-directional pinch valve
- Clog resistant 100% full-bore
- Heavy duty sleeve
- Size range from DN 25-300 (DN 1"-12")
- Standard flange connections: EN1092-1 PN10 and ANSI B16.5 (class 150)
- Actuation: Manual, Pneumatic (single and double acting with optional manual override).
Electric actuator & other options upon request

Features:

- Single pinch closing mechanism from DN 25 to 100 (DN 1" to 4")
Double pinch closing mechanism from DN 150 to 300 (DN 6" to 12")
- Sleeve support during opening and closing allows the valve to operate under vacuum conditions
- Easy and quick sleeve replacement. No special tooling needed. Maintenance can be carried out on site
- No head loss
- No packing to maintain
- Body material: ductile iron as standard, other materials available upon request
- Sleeve material: Natural Rubber and EPDM, other materials available upon request
- RAL-5015 blue epoxy coating on all cast iron / carbon steel components
- Accessories: limit or proximity switches, positioners, solenoid valves, manual overrides, fail safe systems
- Face-to-face as per ANSI B16.10 up to DN 150 (6"), same as B16.10 (class 150) plug/ball/gate valve

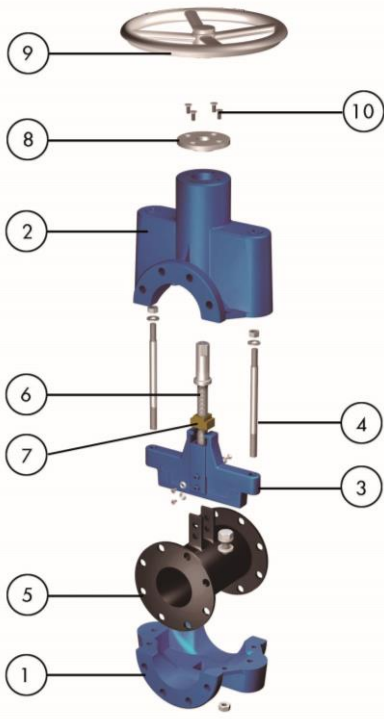
DN 25 - 100 (DN 1" - 4")



DN 150 - 300 (DN 6" - 12")

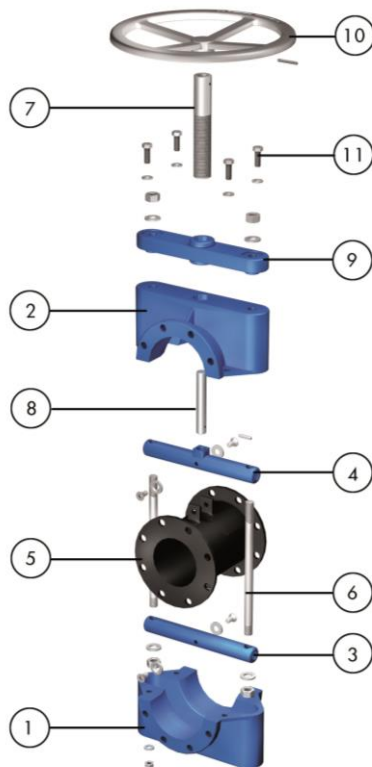


PA PINCH VALVE DN 25 - 300 (DN 1" - 12")



STANDARD PARTS LIST FOR DN 25 - DN 100 (DN 1" - 4")

Part	Materials
1 Lower body	Ductile iron GJS 400
2 Upper body	Ductile iron GJS 400
3 Pinch bar	Up to DN80-A216 WCB / DN100- ductile iron GJS 400
4 Tie Rod	AISI 430
5 Sleeve	Natural Rubber / EPDM
6 Stem	AISI 430
7 Drive nut	Brass
8 Retainer	Mild steel
9 Handwheel	Aluminum
10 Fasteners	Carbon steel CL-8



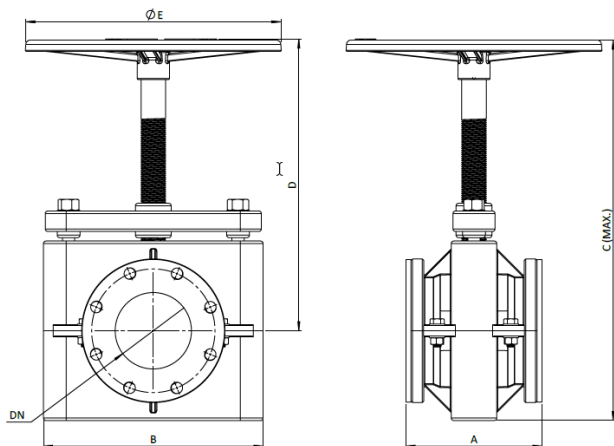
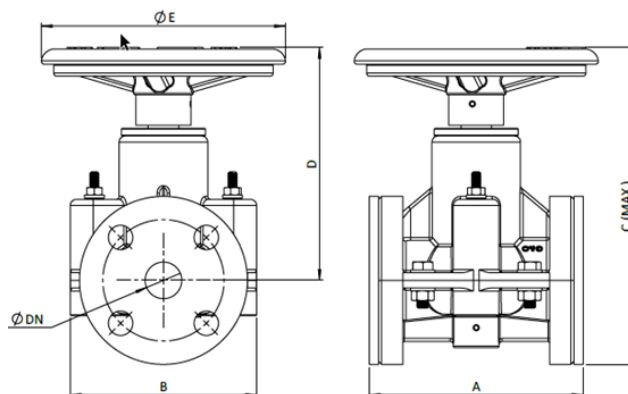
STANDARD PARTS LIST FOR DN 150 - 300 (DN 6" - 12")

Part	Materials
1 Lower body	Ductile iron GJS 400
2 Upper body	Ductile iron GJS 400
3 Lower pinch rod	Carbon steel A106 Gr. B
4 Upper pinch rod	Carbon steel A106 Gr. B
5 Sleeve	Natural Rubber / EPDM
6 Tie rod	AISI 430
7 Stem	Carbon steel A106 Gr. B
8 Pipe bushing	AISI 430
9 Support	Ductil iron GJS 400
10 Handwheel	Aluminium
11 Fasteners	Carbon steel CL-8

PA PINCH VALVE DN 25 - 300 (DN 1" - 12")

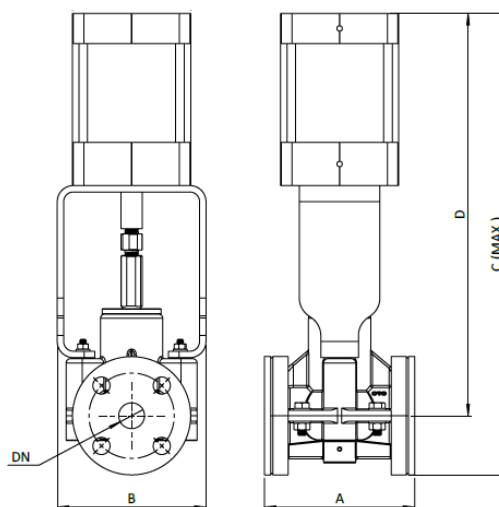
DIMENSIONS (mm) Handwheel

DN	Working Pressure	A	B	C	D	Ø E	Weight (kg.)
25	10 bar	140	125	230	155	140	5
40	10 bar	165	190	275	190	140	10
50	10 bar	178	225	335	230	250	16
65	10 bar	190	265	370	245	250	20
80	10 bar	203	300	450	290	250	25
100	10 bar	229	350	510	365	355	42



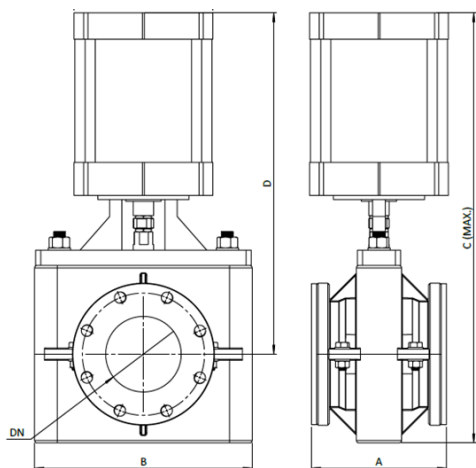
DIMENSIONS (mm) Handwheel

DN	Working Pressure	A	B	C	D	Ø E	Weight (kg.)
150	10 bar	266	430	710	510	610	80
200	8.5 bar	406	550	850	620	610	140
250	7 bar	508	635	930	670	610	175
300	7 bar	609	880	1050	750	610	210



DIMENSIONS (mm) Pneumatic Actuator (D/A)

DN	Working Pressure	A	B	C	D	Air pressure (bar)	Weight (kg.)
25	10 bar	140	130	450	375	4 to 7.5 bar	6
40	10 bar	165	190	510	415	4 to 7.5 bar	10
50	10 bar	178	225	580	480	4 to 7.5 bar	16
65	10 bar	190	265	645	510	4 to 7.5 bar	22
80	10 bar	203	300	740	575	4 to 7.5 bar	29
100	10 bar	229	350	850	705	4 to 7.5 bar	43



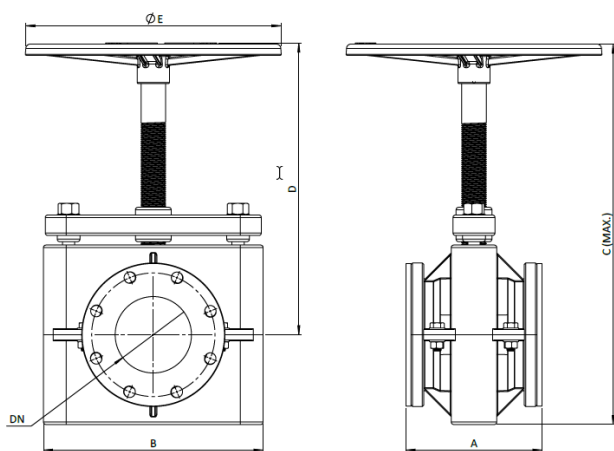
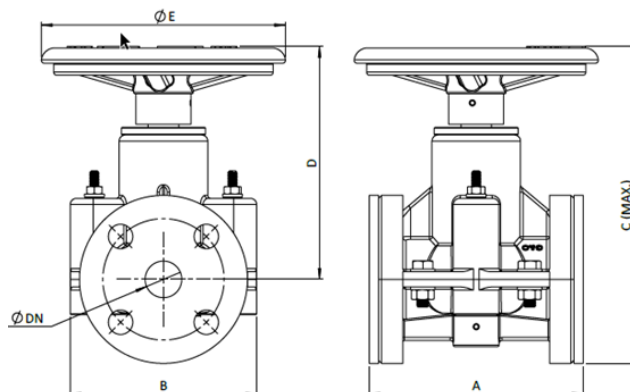
DIMENSIONS (mm) Pneumatic Actuator (D/A)

DN	Working Pressure	A	B	C	D	Air pressure (bar)	Weight (kg.)
150	10 bar	266	430	920	745	4 to 7.5 bar	125
200	8.5 bar	406	550	1170	945	4 to 7.5 bar	160
250	7 bar	508	635	1250	930	4 to 7.5 bar	190
300	7 bar	601	880	1350	1050	4 to 7.5 bar	230

PA PINCH VALVE DN 25 - 300 (DN 1" - 12")

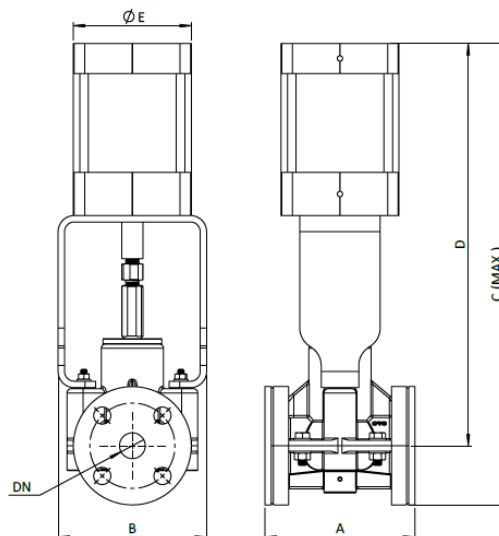
DIMENSIONS (inch) Handwheel

DN	Working Pressure	A	B	C	D	Ø E	Weight (lbs)
1"	150 psi	5,5	4,9	9	6,1	5,5	11
1 1/2"	150 psi	6,5	7,4	10,8	7,4	5,5	22
2"	150 psi	7	8,8	13,1	9	9,8	35
2 1/2"	150 psi	7,4	10,4	14,5	9,6	9,8	44
3"	150 psi	7,9	11,8	17,7	11,4	9,8	55
4"	150 psi	9	13,7	20,0	14,3	13,9	93



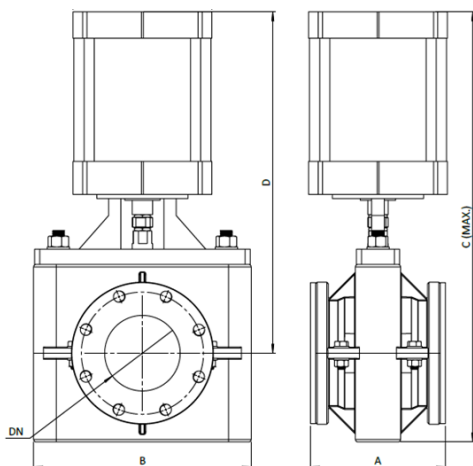
DIMENSIONS (inch) Handwheel

DN	Working Pressure	A	B	C	D	E Ø	Weight (lbs)
6"	150 psi	10,4	16,9	27,9	20	24	176
8"	125 psi	15,9	21,6	33,4	24,4	24	309
10"	100 psi	20	24,1	36,6	26,3	24	386
12"	100 psi	23,9	34,6	41,3	29,5	24	463



DIMENSIONS (inch) Pneumatic Actuator (D/A)

DN	Working Pressure	A	B	C	D	Air pressure (psi)	Weight (lbs)
1"	150 psi	5,5	5,1	17,7	14,7	60 to 110 psi	13
1 1/2"	150 psi	6,5	7,4	20	16,3	60 to 110 psi	22
2"	150 psi	7	8,8	22,8	18,9	60 to 110 psi	35
2 1/2"	150 psi	7,4	10,4	25,3	20	60 to 110 psi	49
3"	150 psi	7,9	11,8	29,1	22,6	60 to 110 psi	64
4"	150 psi	9	13,7	33,4	27,7	60 to 110 psi	95



DIMENSIONS (inch) Pneumatic Actuator (D/A)

DN	Working Pressure	A	B	C	D	Air pressure (psi)	Weight (lbs)
6"	150 psi	10,4	16,9	36,2	29,3	60 to 110 psi	276
8"	125 psi	15,9	21,6	46	37,2	60 to 110 psi	353
10"	100 psi	20	25	49,2	36,6	60 to 110 psi	419
12"	100 psi	23,6	34,6	53,1	41,3	60 to 110 psi	507